



# Fumagalli S.p.A

Milano - Roma - Italy

**V A L V E S**

Floating Ball Valves

### CLASS150 Dimention chart

Unit(mm)

Nom. Dia	in	1/2	3/4	1	1 1/2	2	2 1/2	3	4	5	6	8	10
	mm	15	20	25	40	50	65	80	100	125	150	200	250
Bore		15	20	25	40	50	65	80	100	125	150	200	250
L		108	117	127	165	178	190	203	229	356	394	457	533
H		84	88	95	120	140	160	180	208	220	335		
W		130	130	140	250	250	400	400	450	450	1050		

1/2"~4": Lever operation

6"~8": Optional gear operation

10": Gear operation

Test pressure

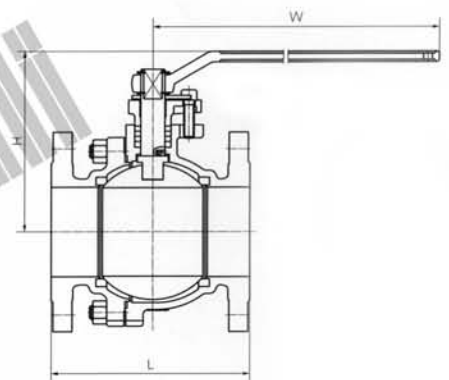
Shell (Hydrostatic): 3.10MPa(450psi)

Seat(Air):0.55MPa(80psi)

Options

Packing and gasket

CF8M(316SS)ball and stem



CLASS150

### CLASS300 Dimention chart

Unit(mm)

Nom. Dia	in	1/2	3/4	1	1 1/2	2	2 1/2	3	4	5	6	8
	mm	15	20	25	40	50	65	80	100	125	150	200
Bore		15	20	25	40	50	65	80	100	125	150	200
L		140	152	165	191	216	241	283	305	381	403	502
H		84	88	95	120	140	160	180	208	220	335	
W		130	130	140	250	250	400	400	450	450	1050	

1/2"~4": Lever operation

6"~8": Optional gear operation

10": Gear operation

Test pressure

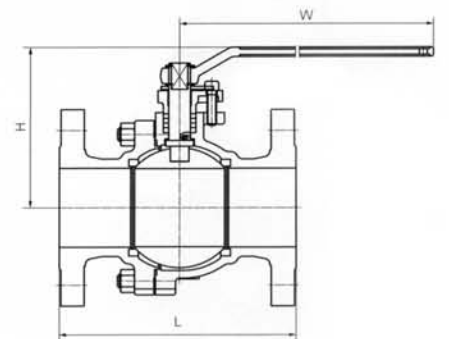
Shell (Hydrostatic): 7.76MPa(1125psi)

Seat(Air):0.55MPa(80psi)

Options

Packing and gasket

CF8M(316SS)ball and stem

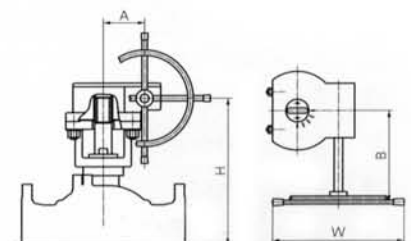


CLASS300

### Gear operation dimention chart

Unit(mm)

CLASS	150	300	Gear operator			
			H	W	B	A
Size (inch)	6	6	325	350	205	125
	8	8	415	355	320	185
	10	-	475	165	140	160





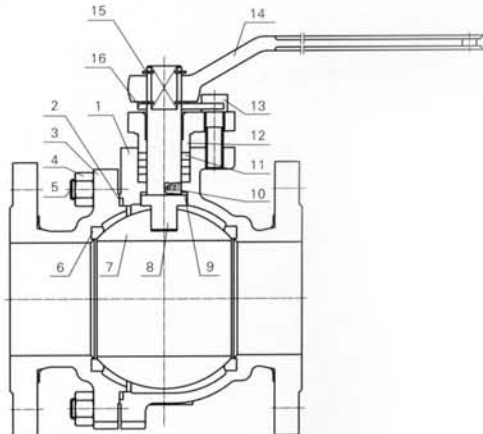
# Fumagalli S.p.A

Milano - Roma - Italy

**V A L V E S**

Floating Ball Valves

## CLASS150/300 Casting steel floating ball valve



### Technical specification

- 1、Temp.& pressure: ASME B16.34、BS5351
- 2、Wall thicknedd: ASME B16.34、BS5351
- 3、Bore dimation: API 6D、BS5351
- 4、Face to Face: ASME B16.10、BS2080
- 5、Flangs dimitions: ASME B16.5、BS1560
- 6、Test & inspection: API 598、API 6D、BS5146
- 7、Body materill: WCB、LCB、LCC、CF8、CF8M、CF3、CF3M

### Main part materials list

NO.	Part name	Carbon steel	Low Temp. steel	Stainless steel
1	Body	ASTM A216-WCB	ASTM A352-LCB/LCC	ASTM A351-CF8/CF8M
2	Gasket	304+Graphite	304+Graphite	304+Graphite
3	Bonnet	ASTM A216-WCB	ASTM A352-LCB/LCC	ASTM A351-CF8/CF8M
4	Nut	ASTM A194-2H/2HM	ASTM A194 4	ASTM A194-2HM/8
5	Stud	ASTM A193-B7/B7M	ASTM A320 L7	ASTM A193-B7M/B8
6	Seat	PTFE	PTFE	PTFE
7	Ball	ASTM A182-F304	ASTM A182-F304	ASTM A182-F304/F316
8	Stem	ASTM A182-F304	ASTM A182-F304	ASTM A182-F304/F316
9	Gasket	304+PTFE	304+PTFE	304+PTFE
10	Antistatic device	ASTM A182-F304	ASTM A182-F304	ASTM A182-F304/F316
11	Packing	PTFE/Graphite	PTFE/Graphite	PTFE/Graphite
12	Packing glang	ASTM A216-WCB	ASTM A352-LCB/LCC	ASTM A351-CF8/CF8M
13	Screw	ASTM A193-B7/B7M	ASTM A320 L7	ASTM A193-B7M/B8
14	Lever	ASTM A216-WCB	ASTM A216-WCB	ASTM A216-WCB
15	Back stop	Carbon steel	Carbon steel	Carbon steel
16	Stopper plate	Carbon steel	Carbon steel	Carbon steel