

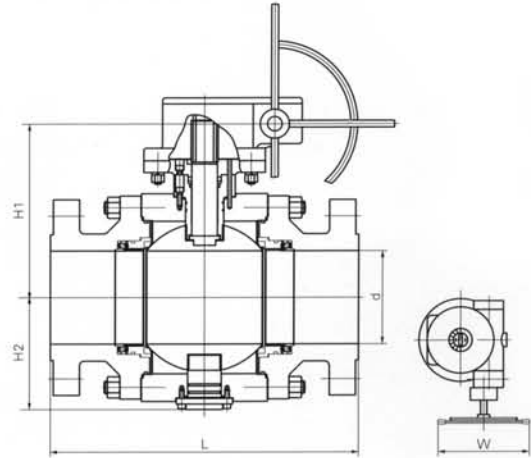


Fumagalli S.p.A

Milano - Roma - Italy

Forged Steel Trunnion Ball Valves

V A L V E S



(6"~32" Class150)DN50~DN800 PN2.0

Dimension chart (inch)

CLASS	NPS	d	L	H ₁	H ₂	W	Weight (Kg)
150Lb	6	6	15.5	11.93	7.28	18.1	203
	8	8	18	13.47	8.9	18.1	289
	10	10	21	14.48	10.2	18.1	450
	12	12	24	16.44	12.25	27.8	590
	14	13.25	28	17.9	13.7	27.8	815
	16	15.25	30	21.95	16.4	31.5	1580
	18	17.25	34	23.54	17.83	31.5	2435
	20	19.25	36	24.8	18.86	31.5	2600
	24	23.25	42	27.79	23.11	31.5	4200
	26	25	45	29.53	23.62	31.5	5115
	28	27	49	31.49	25.59	31.5	6260
	30	29	51	33.85	27.24	31.5	7340
32	30.75	54	35.75	28.98	31.5	8900	

Dimension chart (mm)

PN	DN	d	L	H ₁	H ₂	W	Weight (Kg)
2.0 MPa	150	152	393.7	303	185	460	203
	200	203	457.2	342	226	460	289
	250	254	533.4	377	259	460	450
	300	305	609.6	418	311	705	590
	350	337	685.8	455	348	705	815
	400	387	762	558	417	800	1580
	450	438	863.6	598	453	800	2435
	500	489	914.4	630	479	800	2600
	600	591	1066.8	705	587	800	4200
	650	635	1143	750	600	800	5115
	700	686	1244.6	800	650	800	6260
	750	737	1295.4	860	692	800	7340
800	781	1371.6	908	736	800	8900	



Fumagalli S.p.A

Milano - Roma - Italy

V A L V E S

Forged Steel Trunnion Ball Valves

(6"~32" Class300)DN150~DN800 PN5.0

Dimention chart (inch)

CLASS	NPS	d	L	H ₁	H ₂	W	Weight (Kg)
300Lb	6	6	15.875	11.93	7.28	18.1	215
	8	8	19.75	13.47	8.9	18.1	325
	10	10	22.375	14.9	10.7	27.8	450
	12	12	25.5	16.44	12.25	27.8	590
	14	13.25	30	17.9	13.7	27.8	815
	16	15.25	33	21.95	16.4	31.5	1870
	18	17.25	36	23.54	17.83	31.5	2755
	20	19.25	39	24.8	18.86	31.5	2965
	22	21.25	43	26.42	20.47	31.5	3360
	24	23.25	45	24.79	23.11	31.5	4685
	26	25	49	30.59	23.62	31.5	5655
	28	27	53	31.49	25.59	31.5	6775
	30	29	55	33.85	27.24	31.5	7900
	32	30.75	60	35.75	28.98	31.5	9550

Dimention chart (mm)

PN	DN	d	L	H ₁	H ₂	W	Weight (Kg)
5.0MPa	150	152	403.2	303	185	460	215
	200	203	501.7	342	226	460	325
	250	254	568.3	378.5	272	705	450
	300	305	647.7	418	311	705	590
	350	337	762	455	348	705	815
	400	387	838.2	558	417	800	1870
	450	438	914.4	598	453	800	2755
	500	489	90.6	630	479	800	2965
	550	540	1092.2	671	520	800	3360
	600	591	1143	705	587	800	4685
	650	635	1244.6	777	600	800	5655
	700	686	1346.2	800	650	800	6775
	750	737	1397	860	692	800	7900
	800	781	1524	908	736	800	9550

(6"~32" Class400)DN150~DN800 PN6.4

Dimention chart (inch)

CLASS	NPS	d	L	H ₁	H ₂	W	Weight (Kg)
400Lb	6	6	19.5	11.93	7.28	18.1	235
	8	8	23.5	13.47	8.9	18.1	355
	10	10	26.5	14.9	10.7	27.8	495
	12	12	30	16.44	12.25	27.8	650
	14	13.25	32.5	17.9	13.7	27.8	895
	16	15.25	35.5	21.95	16.4	31.5	2060
	18	17.25	38.5	23.54	17.83	31.5	3030
	20	19.25	41.5	24.8	18.86	31.5	3415
	22	21.25	45	26.42	20.47	31.5	3865
	24	23.25	48.5	27.79	23.11	31.5	5595
	26	25	51.5	30.59	23.62	31.5	6505
	28	27	55	33.149	25.59	31.5	7790
	30	29	60	33.85	27.24	31.5	9085
	32	30.75	65	35.75	28.98	31.5	10985

Dimention chart (mm)

PN	DN	d	L	H ₁	H ₂	W	Weight (Kg)
6.4MPa	150	152	495.3	303	185	460	235
	200	203	595.9	342	226	460	355
	250	254	673.1	378.5	272	705	495
	300	305	762	418	311	705	650
	350	337	825.5	455	348	705	895
	400	387	901.7	558	417	800	2060
	450	438	977.9	598	453	800	3030
	500	489	1054.1	630	479	800	3415
	550	540	1143	671	520	800	3865
	600	591	1231.9	705	587	800	5595
	650	635	1308.1	777	600	800	6505
	700	686	1397	800	650	800	7790
	750	737	1524	860	692	800	9085
	800	781	1651	908	736	800	10985

(6"~24" Class600)DN150~DN600 PN10.0

Dimention chart (inch)

CLASS	NPS	d	L	H ₁	H ₂	W	Weight (Kg)
600Lb	6	6	22	12.17	7.56	18.1	270
	8	8	26	14.1	9.86	18.1	525
	10	10	31	16.1	11.4	27.8	775
	12	12	33	18.68	13.47	27.8	1120
	14	13.25	35	19.75	14.88	31.5	1565
	16	15.25	39	20.96	16.79	31.5	2400
	18	17.25	43	25.04	19.37	31.5	3400
	20	19.25	47	26.75	20.43	31.5	3950
	22	21.25	51	28.56	22.76	31.5	4900
	24	23.25	55	30.12	25.59	31.5	6650

Dimention chart (mm)

PN	DN	d	L	H ₁	H ₂	W	Weight (Kg)
10.0MPa	150	152	558.8	309	192	460	270
	200	203	660.4	358	250.5	460	525
	250	254	787.4	409	290	705	775
	300	305	838.2	474.4	342	705	1120
	350	337	889	502	378	800	1565
	400	387	990.6	532.3	426.5	800	2400
	450	438	1092.2	636	492	800	3400
	500	489	1193.8	674.8	519	800	3950
	550	540	1295.4	725	578	800	4900
	600	591	1397	765	650	800	6650



Fumagalli S.p.A

Milano - Roma - Italy

V A L V E S

Forged Steel Trunnion Ball Valves

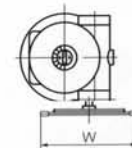
(6", Class900)DN150 and PN15.0

Dimension chart (inch)

CLASS	NPS	d	L	H ₁	H ₂	W	Weight (Kg)
900Lb	6	6	24	12	9.85	27.8	390
	8	8	29	15.6	13.78	31.5	700
	10	10	33	16.93	14.96	31.5	1100
	12	12	38	18.3	15.94	31.5	1750
	14	12.75	40.5	21.45	19.49	31.5	2300
	16	14.75	44.5	24.21	22.24	31.5	3500
	18	16.75	48	26.97	23.42	31.5	4727
	20	18.625	52	29.52	25	31.5	5542
	24	22.5	61	35.23	28.54	31.5	9745

Dimension chart (mm)

PN	DN	d	L	H ₁	H ₂	W	Weight (Kg)
15.0 MPa	150	152	609.6	305	250	705	390
	200	203	736.6	395	350	800	700
	250	254	838.2	430	380	800	1100
	300	305	965.2	465	405	800	1750
	350	324	1028.7	545	495	800	2300
	400	375	1130.3	615	565	800	3500
	450	425.5	1219.2	685	595	800	4727
	500	473	1320.8	750	635	800	5542
	600	571.5	1549.4	895	725	800	9745



(6", Class1500)DN150 and PN25.0

Dimension chart (inch)

CLASS	NPS	d	L	H ₁	H ₂	W	Weight (Kg)
1500Lb	6	5.75	27.75	14.96	9.85	31.5	592
	8	7.625	32.75	19.29	13.78	31.5	935
	10	9.5	39	20.07	14.96	31.5	1900
	12	11.375	44.5	22.05	16.14	31.5	2285
	14	12.5	49.5	25	16.69	31.5	3940
	16	14.25	54.5	26.97	22.44	31.5	5430

Dimension chart (mm)

PN	DN	d	L	H ₁	H ₂	W	Weight (Kg)
25.0 MPa	150	146	704.9	380	250	800	592
	200	194	831.9	490	350	800	935
	250	241	990.6	510	380	800	1900
	300	289	1130.3	460	410	800	2285
	350	317.5	1257.3	635	500	800	3940
	400	362	1384.3	685	570	800	5430

