



Fumagalli S.p.A

Milano - Roma - Italy

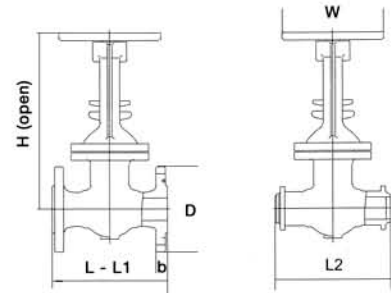
ANSI Gate Valves Class 150

V A L V E S



APPLICABLE STANDARD

API600, BS1414 , ANSI B16.34, API6D;
 Face To Face / End To End: ANSI B16.10;
 End Flanges:
 2"—24": ANSI B16.5
 26"—48": MSS-SP44
 API605 on request
 Welding Ends: ANSI B16.25
 Shell Wall Thickness:
 2"—24": API600
 26"—48": Manufacturer's standard



DIMENSIONS AND WEIGHTS

* Gear Operated

NOM SIZE	L		L1		L2		D		b		H Open		W MM	Wt Kgs
	RF		RTJ		BW									
	IN	MM	IN	MM	IN	MM	IN	MM	IN	MM	IN	MM		
2	7.00	178	7.52	191	8.50	216	6.00	152.4	0.62	16	16.10	409	200	18
2 1/2	7.50	190	8.00	203	9.50	241	7.00	177.8	0.69	18	17.40	442	200	28
3	8.00	203	8.50	216	11.1	283	7.50	190.5	0.75	19	20.00	508	250	34
4	9.00	229	9.50	241	12.0	305	9.00	228.6	0.94	24	23.20	590	250	52
5	10.0	254	10.5	267	15.0	381	10.0	254.0	0.94	24	27.90	710	250	71
6	10.5	267	11.0	279	15.8	403	11.0	279.4	1.00	25	24.80	630	300	88
8	11.5	292	12.0	305	16.5	419	13.5	342.9	1.12	28	37.80	960	350	144
10	13.0	330	13.5	343	18.0	457	16.0	406.4	1.19	30	45.60	1158	400	197
12	14.0	356	14.5	368	19.8	502	19.0	482.6	1.25	32	54.30	1378	450	298
14	15.0	381	15.5	394	22.5	572	21.0	533.4	1.38	35	60.75	1543	500	406
16	16.0	406	16.5	419	24.0	610	23.5	596.9	1.44	37	68.40	1738	600	524
18	17.0	432	17.5	445	26.0	660	25.0	635.0	1.56	40	77.10	1959	600	720
20	18.0	457	18.5	470	28.0	711	27.5	698.5	1.69	43	87.20	2214	680	1117
24	20.0	508	20.5	521	32.0	813	32.0	812.8	1.88	48	102.3	2599	760	1466
26*	22.0	559	22.5	572	34.0	863	34.3	871.2	2.69	68	121.5	3086	GO	1699
28*	24.0	610	24.5	622	36.0	914	36.5	927.1	2.81	71	131.0	3327	GO	1931
30*	24.0	610	24.5	622	36.0	914	38.7	982.9	2.94	75	142.0	3606	GO	2380
32*	26.0	660	26.5	673	38.0	965	41.8	1062	3.18	81	146.0	3708	GO	2490
36*	28.0	711	28.5	724	40.0	1016	46.0	1168	3.56	90	154.5	3924	GO	3600
42*	32.0	813	32.5	826	45.0	1143	53.0	1346	3.81	97	179.0	4546	GO	4710
48*	42.0	1066	42.5	1079	54.0	1371	59.5	1511	4.25	108	204.0	5181	GO	6500

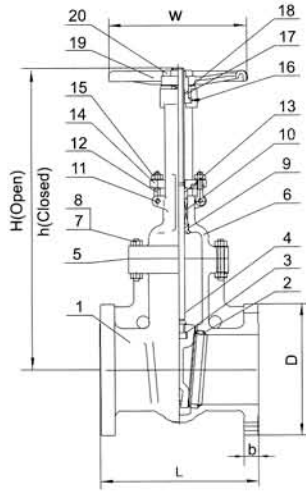


Fumagalli S.p.A

Milano - Roma - Italy

ANSI Gate Valves Class 150

V A L V E S



BILL OF MATERIALS & PARTS

Part No.	Part Name	ASTM Specifications (Specs.-Grades/Types)				
		A216	A352	A217		A351
		WCB	LCC	WC6	C5	CF8M
1	Body	A216-WCB	A352-LCC	A217-WC6	A217-C5	A351-CF8M
2	Seat Ring	A105 ,LF2, 316 OR 304				
	Seat Ring Surface	13CR, HF(STELLITE), 316, 304, Monel				
3	Gate	A216-WCB	A352-LCC	A217-WC6	A217-C5	A351-CF8M
	Gate Sealing Surface	13CR, HF(STELLITE), 316, 304, Monel				
4	Stem	13CR, 316 OR 304, 17-4PH, Monel				
5	Gasket	Soft Iron, Spiral Wound				
6	Bonnet	A216-WCB	A352-LCC	A217-WC6	A217-C5	A351-CF8M
7	Bonnet Bolt Nut	A194-2H	A194-4	A194-2H	A194-4	A194-8
8	Bonnet Bolt	A193-B7	A320-L7	A193-B7	A193-B16	A193-B8
9	Bonnet Bushing	13Cr, 316 OR 304				
10	Gland Packing	Braided Graphite & Die Formed Graphite Ring, PTFE				
11	Eye Bolt Pins	Carbon Steel				316
12	Gland Eye Bolts	A193-B7	A320-L7	A193-B7		A193-B8
13	Gland	13Cr, 316 OR 304				
14	Gland Flange	A216-WCB	A352-LCC	A217-WC6	A217-C5	A351-CF8M
15	Eye Bolt Nut	A194-2H	A194-7M	A194-2H		A194-8
16	Grease Nipple	Carbon Steel				316
17	Yoke Sleeve	ASTM A439 GR D2C				
18	Retaining Nut	Carbon Steel				316
19	Handwheel	Malleable Iron				
20	Handwheel Nut	Carbon Steel				316