

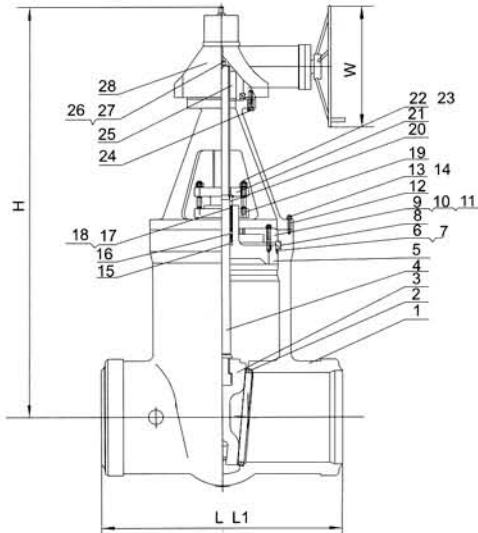


# Fumagalli S.p.A

Milano - Roma - Italy

**V A L V E S**

**ANSI Gate Valves - Pressure Seal  
Class 1500**



**APPLICABLE STANDARD**

Basic Design: ANSI B16.34  
 Face To Face: ANSI B16.10  
 End To End: ANSI B16.10;  
 End Flanges:  
     2"–24": ANSI B16.5  
 Welding Ends: ANSI B16.25

**BILL OF MATERIALS & PARTS**

Item	Part Name
1	Body
2	Seat Ring
3	Flexible Wedge
4	Stem
5	Stuffing Box
6	Sealing Ring
7	Pressure Ring
8	Segment Ring
9	Support Plate
10	Box-Plate Bolt
11	Box-Plate Nut
12	Yoke
13	Box-Plate Bolt
14	Box-Plate Nut
15	Packing Plate
16	Lantern
17	Packing 1
18	Packing 11
19	Gland Flange Seat
20	Gland
21	Gland Flange
22	Gland Eyebolt
23	Gland Eyebolt Nut
24	Yoke Gear Stud
25	Stem Nut

**DIMENSIONS AND WEIGHTS (MM)**

NOM SIZE	2	3	4	6*	8*	10*	12*	14*	16*	18*	20*	24*
L RF	368	470	546	705	832	991	1130	1257	1384	1536	1663	1943
L1 BW	216	305	406	559	711	864	991	1067	1194	1346	1473	1943
H	554	767	875	1094	1372	1655	1834	2150	2260	2285	2387	2794
W	300	450	560	305	GO	GO	GO	GO	GO	GO	GO	GO
Wt	60	128	182	394	795	1370	2120	2800	3780	4010	4950	7650