

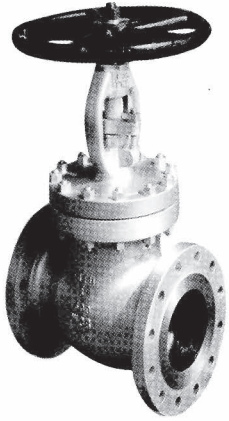


Fumagalli S.p.A

Milano - Roma - Italy

V A L V E S

**ANSI Globe Valves
Class 300**



APPLICABLE STANDARD

Basic Design: BS1873

Face To Face / End To End: ANSI B16.10;

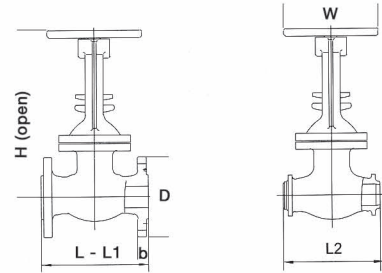
End Flanges:

2"–16": ANSI B16.5

Welding Ends: ANSI B16.25

Shell Wall Thickness:

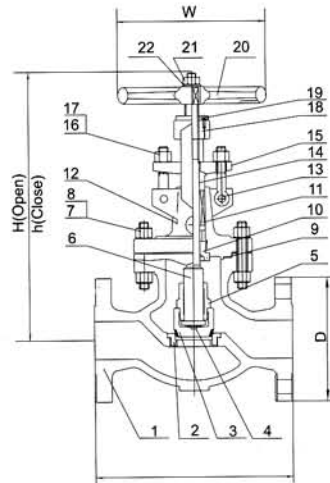
2"–16": API600



DIMENSIONS AND WEIGHTS

* Gear Operated

NOM SIZE	L/L2		L1		D		b		H Open		W	Wt
	RF/BW		RTJ		IN	MM	IN	MM	IN	MM	MM	Kgs
	IN	MM	IN	MM								
2	10.5	267	11.13	282	6.50	165.1	0.87	22.2	16.56	420	200	31
2½	11.5	292	12.13	308	7.50	190.5	1.00	25.4	17.13	435	200	40
3	12.5	318	13.13	333	8.25	209.5	1.13	28.6	17.68	450	250	58
4	14.0	356	14.63	371	10.0	254.0	1.25	31.7	20.50	520	250	86
5	15.75	400	16.38	416	33.8	279.4	1.37	34.9	24.38	620	400	130
6	17.5	446	18.13	460	12.5	317.5	1.44	36.5	25.56	650	350	150
8	22.0	559	22.63	575	15.0	381.0	1.63	41.3	31.50	800	400	397
10	24.5	622	25.13	638	17.5	444.5	1.87	47.6	41.00	1040	500	527
12	28.0	711	28.63	727	20.5	520.7	2.00	50.8	44.88	1140	600	608
14*	33.0	838	33.62	854	23.0	584.2	2.13	54.0	50.59	1285	GO	630
16*	34.0	863	34.61	879	25.5	647.7	2.25	57.1	56.30	1430	GO	880



BILL OF MATERIALS & PARTS

Part No.	Part Name	ASTM Specifications (Specs. – Grades/Types)				
		A216	A352	A217		A351
		WCB	LCC	WC6	C5	CF8M
1	Body	A216-WCB	A352-LCC	A217-WC6	A217-C5	A351-CF8M
2	Seat Ring	A105 ,LF2, 316 OR 304				
	Seat Ring Surface	13CR, HF(STELLITE), 316, 304, Monel				
3	Disc	A216-WCB	A352-LCC	A217-WC6	A217-C5	A351-CF8M
	Disc Sealing Surface	13CR, HF(STELLITE), 316, 304, Monel				
4	Disc Trust Plate	13Cr ,316 OR 304				
5	Disc Nut	13Cr , 316 OR 304				
6	Stem	13CR , 316 OR 304, 17-4PH, Monel				
7	Bonnet Bolt Nut	A194-2H	A194-4	A194-2H	A194-4	A194-8
8	Bonnet Bolt	A193-B7	A320-L7	A193-B7	A193-B16	A193-B8
9	Gasket	Soft Iron, Spiral Wound				
10	Bonnet Bushing	13Cr ,316 OR 304				
11	Gland Packing	Braided Graphite & Die Formed Graphite Ring				
12	Bonnet	A216-WCB	A352-LCC	A217-WC6	A217-C5	A351-CF8M
13	Eye Bolt Pins	13Cr ,316 OR 304				
14	Gland	13Cr ,316 OR 304				
15	Gland Flange	A216-WCB	A352-LCC	A217-WC6	A217-C5	A351-CF8M
16	Gland Eye Bolts	A193-B7	A320-L7	193-B16		A193-B8
17	Eye Bolt Nuts	A194-2H	A194-7M	A194-2H		A194-8
18	Yoke Sleeve	ASTM A439 GR D2C				
19	Screw	Carbon Steel				316
20	Handwheel	Malleable Iron				
21	Handwheel Nut	Carbon Steel				316
22	Backing Ring	Carbon Steel				316