

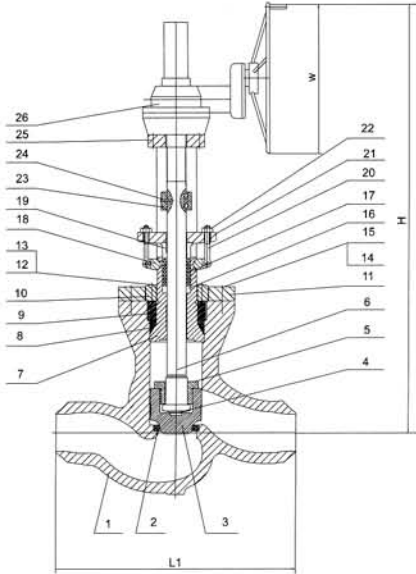


Fumagalli S.p.A

Milano - Roma - Italy

V A L V E S

ANSI Globe Valves
Pressure Seal - **Class 1500**



APPLICABLE STANDARD

Basic Design: ANSI B16.34
Face To Face: ANSI B16.10
End To End: ANSI B16.10;
End Flanges: ANSI B16.5
Welding Ends: ANSI B16.25

BILL OF MATERIALS & PARTS

Item	Part Name
1	Body
2	Seat Ring
3	Disc
4	Disc Thrust Plate
5	Disc Nut
6	Stem
7	Stuffing Box
8	Sealing Ring
9	Pressure Ring
10	Segment Ring
11	Support Plate
12	Box-Plate Bolt
13	Box-Plate Nut
14	Bonnet-Plate Bolt
15	Bonnet-Plate Nut
16	Lantern
17	Packing
18	Gland Flange Seat
19	Gland
20	Gland Eyebolt
21	Gland Flange
22	Gland Eyebolt Nut
23	Stem Block
24	Pin
25	York

DIMENSIONS AND WEIGHTS (MM)

NOM SIZE	2	3	4	6	8
L1 BW	368	469	546	704	831
H	489	635	774	1092	1496
W	300	355	457	GO	GO
Wt	62	98	161	412	656