

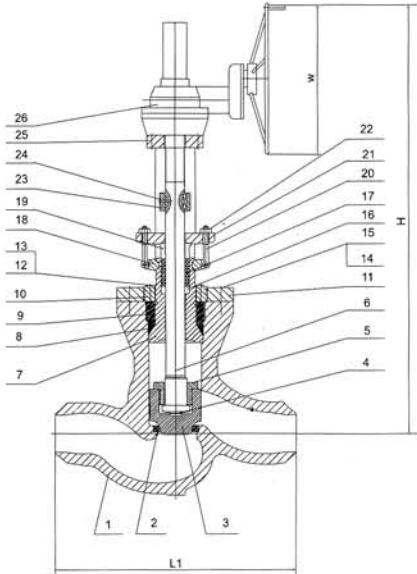


# Fumagalli S.p.A

Milano - Roma - Italy

**V A L V E S**

ANSI Globe Valves  
Pressure Seal - **Class 2500**



**BILL OF MATERIALS & PARTS**

Item	Part Name
1	Body
2	Seat Ring
3	Disc
4	Disc Thrust Plate
5	Disc Nut
6	Stem
7	Stuffing Box
8	Sealing Ring
9	Pressure Ring
10	Segment Ring
11	Support Plate
12	Box-Plate Bolt
13	Box-Plate Nut
14	Bonnet-Plate Bolt
15	Bonnet-Plate Nut
16	Lantern
17	Packing
18	Gland Flange Seat
19	Gland
20	Gland Eyebolt
21	Gland Flange
22	Gland Eyebolt Nut
23	Stem Block
24	Pin
25	York

**APPLICABLE STANDARD**

Basic Design: ANSI B16.34  
Face To Face: ANSI B16.10  
End To End: ANSI B16.10;  
End Flanges: ANSI B16.5  
Welding Ends: ANSI B16.25

**DIMENSIONS AND WEIGHTS (MM)**

NOM SIZE	2	3	4	6	8
L1 BW	451	578	673	914	1022
H	560	755	1230	1791	2086
W	400	560	GO	GO	GO
Wt	140	247	620	1500	3200