

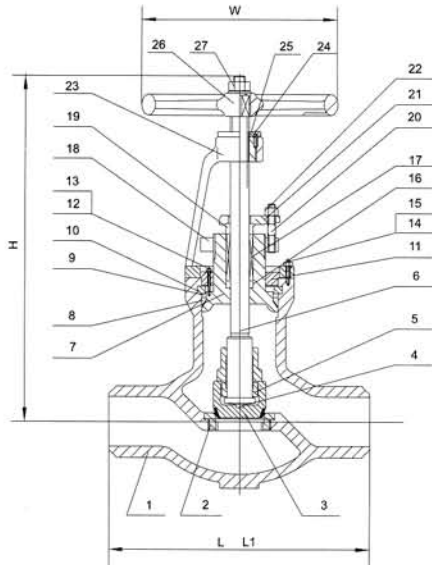


Fumagalli S.p.A

Milano - Roma - Italy

V A L V E S

ANSI Globe Valves
Pressure Seal - **Class 600**



APPLICABLE STANDARD

Basic Design: ANSI B16.34
Face To Face: ANSI B16.10
End To End: ANSI B16.10;
End Flanges: ANSI B16.5
Welding Ends: ANSI B16.25

BILL OF MATERIALS & PARTS

Item	Part Name
1	Body
2	Seat Ring
3	Disc
4	Disc Thrust Plate
5	Disc Nut
6	Stem
7	Stuffing Box
8	Sealing Ring
9	Pressure Ring
10	Segment Ring
11	Support Plate
12	Box-Plate Bolt
13	Box-Plate Nut
14	Bonnet-Plate Bolt
15	Bonnet-Plate Nut
16	Lantern
17	Packing
18	Gland Flange Seat
19	Gland
20	Gland Eyebolt
21	Gland Flange
22	Gland Eyebolt Nut
23	Bonnet
24	Screw
25	York Sleeve

DIMENSIONS AND WEIGHTS (MM)

NOM SIZE	2	3	4	6	8	10	12
L RF	292	355	431	558	660	787	838
L1 BW	178	254	304	457	584	711	812
H	425	546	685	939	1092	1270	1570
W	300	355	457	GO	GO	GO	GO
Wt	69	80	135	275	480	780	1150