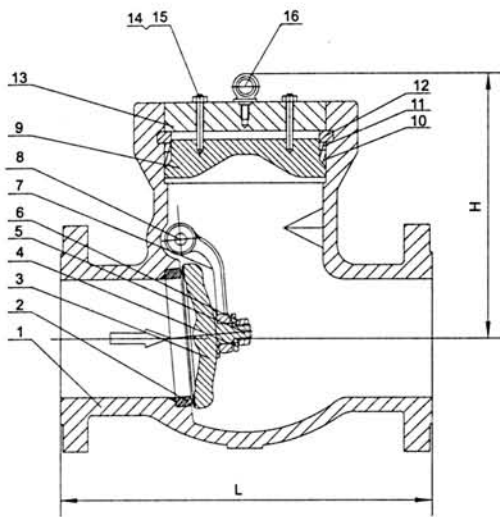




Fumagalli S.p.A
Milano - Roma - Italy

V A L V E S

ANSI Swing Check Valves
Pressure Seal - **Class 1500**



APPLICABLE STANDARD

Basic Design: ANSI B16.34
Face To Face: ANSI B16.10
End To End: ANSI B16.10;
End Flanges: ANSI B16.5
Welding Ends: ANSI B16.25

BILL OF MATERIALS & PARTS

Item	Part Name
1	Body
2	Seat Ring
3	Disc
4	Disc Washer
5	Disc Nut Pin
6	Disc Nut
7	Hinge
8	Hinge Pin
9	Cover
10	Sealing Ring
11	Pressure Ring
12	Segment Ring
13	Cover Clamp
14	Cover Clamp Bolt
15	Cover Clamp Nut
16	Eyebolt

DIMENSIONS AND WEIGHTS (MM)

NOM SIZE	2	2 1/2	3	4	6	8	10	12	14	16
L RF	368	419	470	546	705	832	991	1130	1257	1384
L1BW	216	254	305	406	559	711	864	991	1067	1194
H	265	265	270	370	475	570	630	770	795	824
Wt	60	75	78	130	334	590	1025	1530	1854	2060