

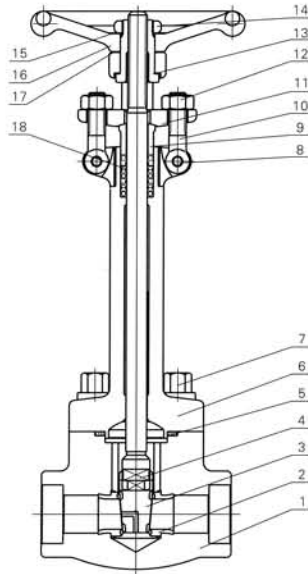


Fumagalli S.p.A

Milano - Roma - Italy

V A L V E S

Cryogenic gate valves



Application specifications

- 1、 Design and manufacture conform to API 602 BS5352 B16.34;
- 2、 Connection ends conform to:
 - 1)Socket welded ends conform to ANSI B16.11;JB/T1751
 - 2)Screw ends conform to ANSI B1.20.1;JB/T7306
 - 3)Butt-welded ends conform to ANSI B16.25;JB/T12224
 - 4)Flanged ends conform to ANSI B16.5;JB79
- 3、 Test and inspection conform to: API 598; GB/T13927; JB/T9092
- 4、 Structure features:
 - Bolted bonnet, outside screw and yoke
 - Welded bonnet, outside screw and yoke
- 5、 Materials conform to ANSI/ASTM.
- 6、 Main materials:
 - LF2; LF3; 304(L); 316(L); F347; F321; F51.

Carbon steel temperature-pressure rate

CL150-285 P.S.I @ 100° F
 CL300-740 P.S.I @ 100° F
 CL600-1480 P.S.I @ 100° F
 CL800-1975 P.S.I @ 100° F
 CL1500-3705 P.S.I @ 100° F

Main part materials list

NO.	Part name	A105/F6a	A105/F6aHFS	LF2/304	LF3/304	F304(L)/304(L)	F316(L)/316(L)	F51/F51
1	Body	-	-	LF2	LF3	F304(L)	F316(L)	F51
2	Seat ring	-	-	304	304	304(L)	316(L)	F51
3	Wedge disc	-	-	F304	F304	F304(L)	F316(L)	F51
4	Stem	-	-	304	F304	304(L)	316(L)	F51
5	Gasket	-	-	304+ Flexible graphite	304+ Flexible graphite	304+ Flexible graphite	316+ Flexible graphite	316+ Flexible graphite
6	Bonnet	-	-	LF2	LF3	F304(L)	F316(L)	F51
7	Bolt	-	-	L7	L7	B8	B8	B8
8	Pin	-	-	410	410	304	304	304
9	Gland	-	-	304	304	304	316	F51
10	Gland eyebolt	-	-	L7	L7	B8(M)	B8(M)	B8M
11	Gland flange	-	-	LF2	LF3	F304	F304	F304
12	Hex nut	-	-	2H	2H	8(M)	8(M)	8M
13	Stem nut	-	-	410	410	410	410	410
14	Locking nut	-	-	35	35	35	35	35
15	Nameplate	-	-	AL	AL	AL	AL	AL
16	Handwheel	-	-	A197	A197	A197	A197	A197
17	Lubricating gasket	-	-	410	410	410	410	410
18	Packing	-	-	Graphite	Graphite	Graphite	Graphite	Graphite