

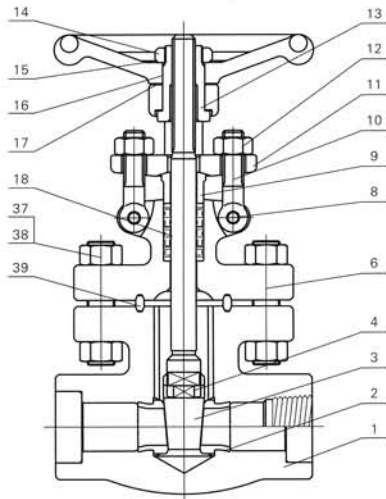


Fumagalli S.p.A

Milano - Roma - Italy

V A L V E S

Female threaded and
socket welded gate valves



Application standards

- 1、 Design and manufacture conform to
API 602、 BS5352、 ANSI B16.34;
- 2、 Connection ends conform to:
 - 1)Socket welded ends conform to ANSI B16.11;JB/T1751
 - 2)Screw ends conform to ANSI B1.20.1;JB/T7306
 - 3)Butt-welded ends conform to ANSI B16.25;JB/T12224
 - 4)Flanged ends conform to ANSI B16.5;JB79
- 3、 Test and inspection conform to:
API 598; GB/T13927; JB/T9092
- 4、 Structure features:
Bolted bonnet, outside screw and yoke
Welded bonnet, outside screw and yoke
- 5、 Materials conform to ANSI/ASTM.
- 6、 Main materials:
A105; LF2; F5; F11; F22; 304(L); 316(L); F347;
F321; F51; Monel; 20 Alloy.

Carbon steel temperature-pressure rate

CL1500-3705 P.S.I @ 100° F
CL2500-6170 P.S.I @ 100° F

Main part materials list

NO.	Part name	A105/F6a	A105/F6aHFS	LF2/304	F11/F6aHF	F304(L)/304(L)	F316(L)/316(L)	F51/F51
1	Body	A105	A105	LF2	F11	F304(L)	F316(L)	F51
2	Seat	410	410HF	304	410HF	304(L)	316(L)	F51
3	Wedge	F6a	F6a	F304	F6aHF	F304(L)	F316(L)	F51
4	Stem	410	410	304	410	304(L)	316(L)	F51
6	Bonnet	A105	A105	LF2	F11	F304(L)	F316(L)	F51
8	Pin	410	410	410	410	304	304	304
9	Gland	410	410	304	410	304	316	F51
10	Gland eyebolt	B7	B7	L7	B16	B8(M)	B8(M)	B8M
11	Gland flange	A105	A105	LF2	F11	F304	F304	F304
12	Hex nut	2H	2H	2H	2H	8(M)	8(M)	8M
13	Stem nut	410	410	410	410	410	410	410
14	Locking nut	35	35	35	35	35	35	35
15	Nameplate	AL	AL	AL	AL	AL	AL	AL
16	Handwheel	A197	A197	A197	A197	A197	A197	A197
17	Lubricating gasket	410	410	410	410	410	410	410
18	Packing	Graphite	Graphite	Graphite	Graphite	Graphite	Graphite	Graphite
37	Screwed stud	B7	B7	L7	B16	B8(M)	B8(M)	B8(M)
38	Nut	2H	2H	8	8	8(M)	8(M)	8(M)
39	Metal ring	304	304	304	304	304(L)	316(L)	F51

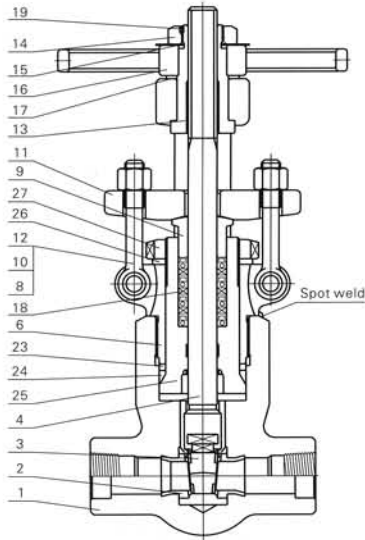


Fumagalli S.p.A

Milano - Roma - Italy

V A L V E S

Pressure sealing
gate valves



Application standards

- 1、 Design and manufacture conform to
API 602、 BS5352、 ANSI B16.34
- 2、 Connection ends conform to:
 - 1)Socket welded dimension conform to ANSI B16.11;JB/T1751
 - 2)Screw ends dimension conform to ANSI B1.20.1;JB/T7306
 - 3)Butt-welded conform to ANSI B16.25;JB/T12224
 - 4)Flanged ends conform to ANSI B16.5;JB79
- 3、 Test and inspection conform to:
API 598; GB/T13927; JB/T9092
- 4、 Structure features:
A threaded and pressure seal bonnet
- 5、 Materials conform to ANIS/ASTM.
- 6、 Main materials:
A105; LF2; F5; F11; F22; 304(L); 316(L); F347; F321; F91;
Monel; 20 Alloy.

Carbon steel temperature-pressure rate

CL1500-3705 P.S.I @ 100° F
CL2500-6170 P.S.I @ 100° F

Main part materials list

NO.	Part name	A105/F6a	A105/F6aHFS	LF2/304	F11/F6aHF	F304(L)/304(L)	F316(L)/316(L)	F91/410 HF
1	Body	A105	A105	LF2	F11	F304(L)	F316(L)	F91
2	Seat	410	410HF	304	410HF	304(L)	316(L)	410HF
3	Wedge	F6a	F6a	F304	F6aHF	F304(L)	F316(L)	F6aHF
4	Stem	410	410	304	410	304(L)	316(L)	410
6	Bonnet	A105	A105	LF2	F11	F304(L)	F316(L)	F91
8	Pin	410	410	410	410	304	304	410
9	Gland	410	410	304	410	304	316	410
10	Gland eyebolt	B7	B7	L7	B16	B8(M)	B8(M)	B8
11	Gland flange	A105	A105	LF2	F11	F304	F304	F91
12	Hex nut	2H	2H	2H	2H	8(M)	8(M)	8
13	Stem nut	410	410	410	410	410	410	410
14	Locking nut	35	35	35	35	35	35	35
15	Nameplate	AL	AL	AL	AL	AL	AL	AL
16	Handwheel	A197	A197	A197	A197	A197	A197	A190
17	Lubricating gasket	410	410	410	410	410	410	410
18	Packing	Graphite	Graphite	Graphite	Graphite	Graphite	Graphite	Graphite
19	Stop nut	35	35	35	35	35	35	35
23	Seal gasket	420	420	304	304	304(L)	316(L)	420
24	P.S.ring	304	304	304	304	304	316	316
25	P.S.seat	420	420	304	304	304(L)	316(L)	F91
26	Nut pad	410	410	410	410	410	410	410
27	Packing nut	Cast steel	Cast steel	Cast steel	Cast steel	Stainless steel	Stainless steel	Cast steel