



# Fumagalli S.p.A

Milano - Roma - Italy

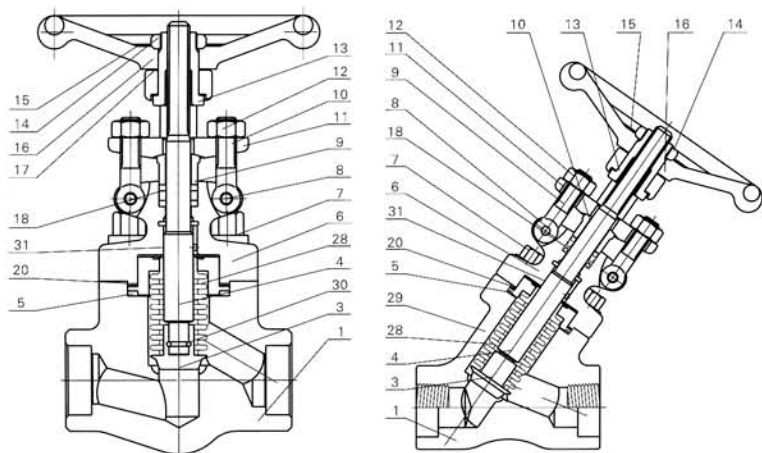
V A L V E S

Short Pattern Bellow  
Seal Globe Valves

The short pattern bellow seal globe valve, agglomerating many years experiences of BOTELI researcher studying bellows, has been developed out through a series of complicated tests. Not only do this kind of valves own the normal bellow seal valve's functions, also have the features of a compact structure and replaceable bellow. This kind of valve will out of question display its advantages if the pipe system and/or equipment have a severe requirement to the valve's installing height.

### Application specifications

- 1、 Design and manufacture conform to BS5352; MSS-SP-117
- 2、 Connection ends conform to:
  - 1)Socket welded ends conform to ANSI B16.11;JB/T1751
  - 2)Screw ends conform to ANSI B1.20.1;JB/T7306
  - 3)Butt-welded ends conform to ANSI B16.25;JB/T12224
  - 4)Flanged ends conform to ANSI B16.5;JB79
- 3、 Test and inspection conform to:
  - API 598; GB/T13927; JB/T9092
- 4、 Structure features:
  - Bolted bonnet, outside screw and yoke
  - Welded bonnet, outside screw and yoke
- 5、 Materials conform to ANSI/ASTM.
- 6、 Main materials:
  - A105; LF2; F5; F11; F22; 304(L); 316(L);
  - F347; F321; F51; Monel; 20 Alloy.
- 7、 Bellow materials: 304、 321、 316、 Inconel 625、 Hastelloy C 276、 Monel.



### Carbon steel temperature-pressure rate

- CL150-285 P.S.I @ 100° F
- CL300-740 P.S.I @ 100° F
- CL600-1480 P.S.I @ 100° F
- CL800-1975 P.S.I @ 100° F
- CL1500-3705 P.S.I @ 100° F

### Main part materials list

NO.	Part name	A105/F6a	A105/F6aHFS	A105/F6aHF	F304(L)/304(L)	F316(L)/316(L)
1	Body	A105	A105+HF	A105+HF	F304(L)	F316(L)
3	Disc	F6a	F6a	F6aHF	F304(L)	F316(L)
4	Stem	410	410	410	304(L)	316(L)
5	Gasket	304+ Flexible graphite	304+ Flexible graphite	304+ Flexible graphite	304+ Flexible graphite	316+ Flexible graphite
6	Bonnet	A105	A105	A105	F304(L)	F316(L)
7	Bolt	B7	B7	B7	B8(M)	B8(M)
8	Pin	410	410	410	304	304
9	Packing bushing	410	410	410	304	316
10	Eyelet bolt	B7	B7	B7	B8(M)	B8(M)
11	Packing gland	A105	A105	A105	F304	F304
12	Hex nut	2H	2H	2H	8(M)	8(M)
13	Stem nut	410	410	410	410	410
14	Locking nut	35	35	35	35	35
15	Nameplate	AL	AL	AL	AL	AL
16	Handwheel	A197	A197	A197	A197	A197
17	Lubricating gasket	410	410	410	410	410
18	Packing	Graphite	Graphite	Graphite	Graphite	Graphite
20	Gasket	304+ Flexible graphite	304+ Flexible graphite	304+ Flexible graphite	304+ Flexible graphite	304+ Flexible graphite
28	Bellow	F321	F321	F321	F321/304L	F316/316L
30	Steel wire	304	304	304	304	316
31	Pin	304	304	304	304	316