

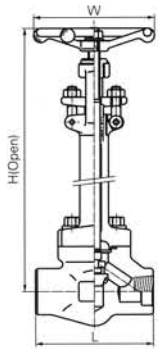


# Fumagalli S.p.A

Milano - Roma - Italy

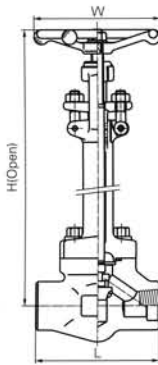
Cryogenic Globe Valves

**V A L V E S**



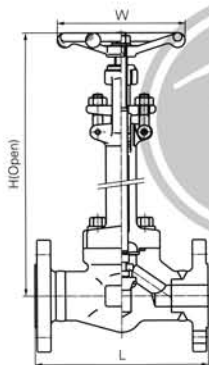
## CL800 Bolted bonnet cryogenic extended bonnet full port & reduced port, OS&Y Threaded or socket welded ends; design to BS5352

Specification (NPS)	R.P	-	1/2	3/4	1	1 1/4	1 1/2	2	2 1/2	
	F.P	1/4	3/8	1/2	3/4	1	1 1/4	1 1/2	2	
Face to face	L	79	79	92	111	120	152	172	200	
Handwheel diameter	W	100	100	100	125	160	160	180	200	
Height(open)	H	-196°C -101°C	390	390	415	430	460	490	505	570
		-46°C	350	350	400	410	425	450	480	540
Flow port dimension	d	7.0	9.0	13	17.5	23	30	35	46	
Weight (Kg)		7.2	7.2	7.2	9.5	10.8	13.5	19.8	29	



## CL1500 Bolted bonnet cryogenic extended bonnet full port & reduced port, OS&Y Threaded or socket welded ends; design to BS5352

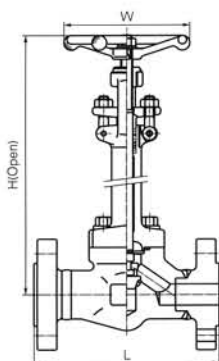
Specification (NPS)	R.P	-	1/2	3/4	1	1 1/4	1 1/2	2	2 1/2	
	F.P	1/4	3/8	1/2	3/4	1	1 1/4	1 1/2	2	
Face to face	L	92	111	111	120	152	172	200	-	
Handwheel diameter	W	100	125	125	160	160	180	200	-	
Height(open)	H	-196°C -101°C	370	370	370	410	410	474	546	-
		-46°C	350	350	400	410	425	450	480	-
Flow port dimension	d	9	12	15	20	28	32	40	-	
Weight (Kg)		7.2	9.5	9.5	10.8	13.5	19.8	29	-	



## CL150-300-600 Bolted bonnet cryogenic extended bonnet, reduced port, OS&Y Flanged or butt welded ends; design to BS5352

Specification(NPS)	R.P	1/4	3/8	1/2	3/4	1	1 1/4	1 1/2	2	
Face to face	L(RF)	-	-	108	118	127	-	165	203	
	L1(BW)	-	-	153	178	203	-	229	267	
	CL600	-	-	165	191	216	-	241	292	
Handwheel diameter	W	-	-	100	100	125	-	160	180	
Height (open)	H	-196°C -101°C	-	-	390	415	430	-	490	505
		-46°C	-	-	350	400	410	-	450	480
Flow port dimension	d	-	-	9.0	13	17.5	-	30	35	
		CL150	-	-	5	5.8	8.6	-	13.8	24.3
Weight (Kg)	CL150	-	-	5.8	6.8	10.3	-	19.3	25.8	
	CL300	-	-	6.3	7.3	10.6	-	20.3	26.8	
	CL600	-	-	6.3	7.3	10.6	-	20.3	26.8	

If you want to order one piece body, please contract with our sale department



## CL1500 Bolted bonnet cryogenic extended bonnet, full port, OS&Y Flanged or butt welded ends; design to BS5352

Specification(NPS)	F.P	1/4	3/8	1/2	3/4	1	1 1/4	1 1/2	2	
Face to face	L(RF)	-	-	216	229	254	280	305	368	
Handwheel diameter	W	-	-	125	125	160	160	180	200	
Height (open)	H	-196°C -101°C	-	-	370	370	410	410	474	546
		-46°C	-	-	350	400	410	425	450	480
Flow port dimension	d	-	-	12	15	20	28	32	40	

If you want to order one piece body, please contract with our sale department

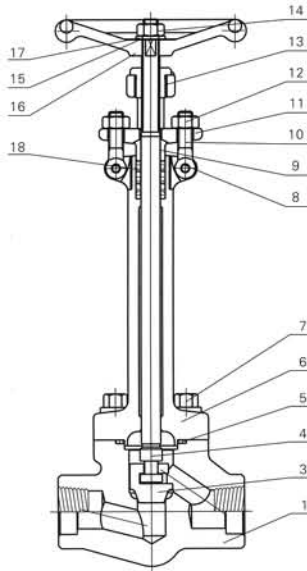


# Fumagalli S.p.A

Milano - Roma - Italy

Cryogenic Globe Valves

**V A L V E S**



## Application specifications

- 1、 Design and manufacture conform to API 602 BS5352 B16.34;
- 2、 Connection ends conform to:
  - 1)Socket welded ends conform to ANSI B16.11;JB/T1751
  - 2)Screw ends conform to ANSI B1.20.1;JB/T7306
  - 3)Butt-welded ends conform to ANSI B16.25;JB/T12224
  - 4)Flanged ends conform to ANSI B16.5;JB79
- 3、 Valve test and inspection conform to:
 

API 598; GB/T13927; JB/T9092
- 4、 Structure features:
 

Bolted bonnet, outside screw and yoke  
Welded bonnet, outside screw and yoke
- 5、 Materials conform to ANSI/ASTM.
- 6、 Main materials:
 

LF2; LF3; 304(L); 316(L); F347; F321; F51; Monel;  
20 Alloy.

## Carbon steel temperature-pressure rate

CL150-285 P.S.I @ 100° F  
 CL300-740 P.S.I @ 100° F  
 CL600-1480 P.S.I @ 100° F  
 CL800-1975 P.S.I @ 100° F  
 CL1500-3705 P.S.I @ 100° F

## Main part materials list

NO.	Part name	A105/F6a	A105/F6aHFS	LF2/304	LF3/304	F304(L)/304(L)	F316(L)/316(L)	F51/F51
1	Body	-	-	LF2	LF3	F304(L)	F316(L)	F51
2	Seat ring	-	-	304	304	304(L)	316(L)	F51
3	Wedge disc	-	-	F304	F304	F304(L)	F316(L)	F51
4	Stem	-	-	304	304	304(L)	316(L)	F51
5	Gasket	-	-	304+ Flexible graphite	304+ Flexible graphite	304+ Flexible graphite	316+ Flexible graphite	316+ Flexible graphite
6	Bonnet	-	-	LF2	LF3	F304(L)	F316(L)	F51
7	Bolt	-	-	L7	L7	B8	B8	B8
8	Pin	-	-	410	410	304	304	304
9	Gland	-	-	304	304	304	316	F51
10	Gland eyebolt	-	-	L7	L7	B8(M)	B8(M)	B8M
11	Gland flange	-	-	LF2	LF3	F304	F304	F304
12	Hex nut	-	-	2H	2H	8(M)	8(M)	8M
13	Stem nut	-	-	410	410	410	410	410
14	Locking nut	-	-	35	35	35	35	35
15	Nameplate	-	-	AL	AL	AL	AL	AL
16	Handwheel	-	-	A197	A197	A197	A197	A197
17	Lubricating gasket	-	-	410	410	410	410	410
18	Packing	-	-	Graphite	Graphite	Graphite	Graphite	Graphite