

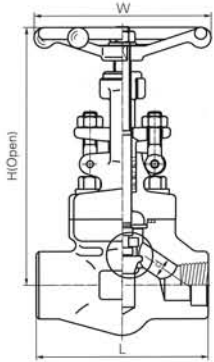


Fumagalli S.p.A

Milano - Roma - Italy

Female Threaded and
Socket Welded Globe Valves

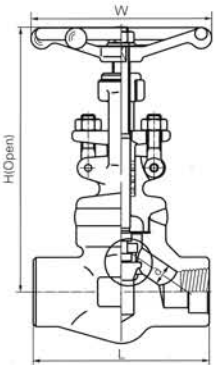
V A L V E S



Needle type

CL800 Bolted bonnet, full port & reducing port outside screw and yoke(OS & Y)
Threaded, butt-welded or socket welded ends; design to BS 5352.

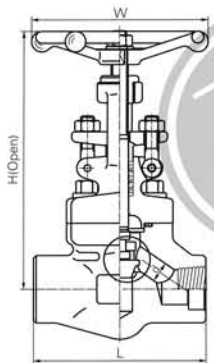
Specification (NPS)	R.P	-	1/2	3/4	1	1 1/4	1 1/2	2	2 1/2	3
	F.P	1/4	3/8	1/2	3/4	1	1 1/4	1 1/2	2	2 1/2
Face to face	L	79	79	92	111	120	152	172	200	
Handwheel diameter	W	100	100	100	125	160	160	180	200	
Height	H	164	164	164	203	224	260	300	355	
Height (angle dimension)	d	7	9	13	17.5	23	30	35	46	
Weight(Kg)		1.9	2.28	2.37	4.3	5.75	7.8	12.5	17.5	



Needle type

CL800 Welded bonnet, full port & reducing port outside screw and yoke(OS & Y)
Threaded, butt-welded or socket welded ends; design to BS5352

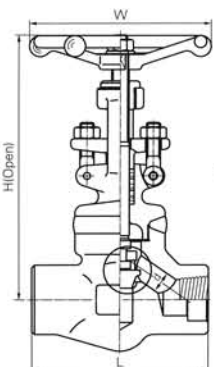
Specification (NPS)	R.P	-	1/2	3/4	1	1 1/4	1 1/2	2	2 1/2	3
	F.P	1/4	3/8	1/2	3/4	1	1 1/4	1 1/2	2	2 1/2
Face to face	L	79	79	92	111	120	152	172	200	
Handwheel diameter	W	100	100	100	125	160	160	180	200	
Height	H	164	164	164	203	224	260	300	355	
Height (angle dimension)	d	7	9	13	17.5	23	30	35	46	
Weight(Kg)		1.7	1.7	1.9	3.3	5.2	6.8	10.6	13.8	



Needle type disc

CL900-CL1500 Bolted bonnet, full port&reducing port outside screw and yoke(OS&Y)
Threaded, butt-welded or socket welded ends; design to BS 5352

Specification (NPS)	R.P	-	1/2	3/4	1	1 1/4	1 1/2	2	2 1/2	3
	F.P	1/4	3/8	1/2	3/4	1	1 1/4	1 1/2	2	2 1/2
Face to face	L	92	111	111	120	152	172	200	220	-
Handwheel diameter	W	100	125	125	160	160	180	200	240	-
Height	H	171	207	207	240	258	330	355	370	-
Height (angle dimension)	d	7	12	15	20	28	32	40	45	-
Weight(Kg)		2.3	3.7	3.6	6.8	7.6	11.6	15	21.9	-



Needle type disc

CL900-CL1500 Welded bonnet, full port&reducing port outside screw and yoke(OS&Y)
Threaded, butt-welded or socket welded ends; design to BS5352

Specification (NPS)	R.P	-	1/2	3/4	1	1 1/4	1 1/2	2	2 1/2	3
	F.P	1/4	3/8	1/2	3/4	1	1 1/4	1 1/2	2	2 1/2
Face to face	L	92	111	111	120	152	172	200	220	-
Handwheel diameter	W	100	125	125	160	160	180	200	240	-
Height	H	171	207	207	240	258	330	355	370	-
Height (angle dimension)	d		12	15	20	28	32	40	45	-
Weight(Kg)		270	3.4	3.3	6.0	5.6	10.3	14.2	18.0	-

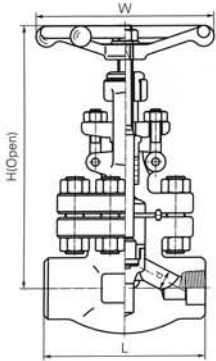


Fumagalli S.p.A

Milano - Roma - Italy

Female Threaded and
Socket Welded Globe Valves

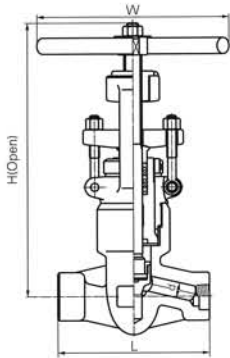
V A L V E S



CL900-CL1500

Bolted bonnet, full port outside screw and yoke (OS & Y)
Threaded, butt-welded or socket welded ends; design to BS5352

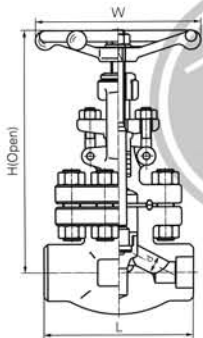
Specification(NPS)	F.P	1/2	3/4	1	1 1/4	1 1/2	2	2 1/2
Face to face	L	110	110	150	150		210	235
Handwheel diameter	W	110	110	130	210		180	250
Height	H	227	227	300	307		40	448
Height(angle dimension)	d	9	12	15	20		32	40
Weight(Kg)		5	5	10	11.5		22	37



CL900-CL1500

Pressure seal bonnet, full port outside screw and yoke(OS & Y)
Threaded, butt-welded or socket welded ends; design to BS5352

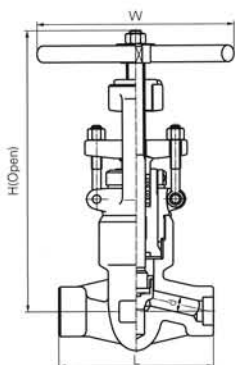
Specification(NPS)	F.P	1/2	3/4	1	1 1/4	1 1/2	2	2 1/2
Face to face	L	140	140	140	178	178	216	
Handwheel diameter	W	200	200	200	280	280	300	
Height	H	320	320	320	440	440	490	
Height(angle dimension)	d	12	15	20	28	32	40	
Weight(Kg)		11.5	10.8	10.5	19.6	21.1	55.4	



CL2500

Bolted bonnet, full port outside screw and yoke (OS & Y)
Socket welded ends, design conform to ASME B16.34

Specification(NPS)	F.P	1/2	3/4	1	1 1/4	1 1/2	2	2 1/2
Face to face	L	150	150	210		235	235	
Handwheel diameter	W	130	130	250		300	300	
Height	H	293	300	390		435	435	
Height(angle dimension)	d	11	14	19		28	35	
Weight(Kg)		10	10.3	22.4		38	38	



CL2500

Pressure seal bonnet, full port outside screw and yoke(OS & Y)
Socket welded ends, design conform to ASME B16.34

Specification(NPS)	F.P	1/2	3/4	1	1 1/4	1 1/2	2	2 1/2
Face to face	L	186	186	186	232	232	279	
Handwheel diameter	W	200	200	200	280	280	300	
Height	H	375	378	380	490	490	540	
Height(angle dimension)	d	11	14	19	25	28	35	
Weight(Kg)		12.3	11.6	10.8	26.0	28.4	60	

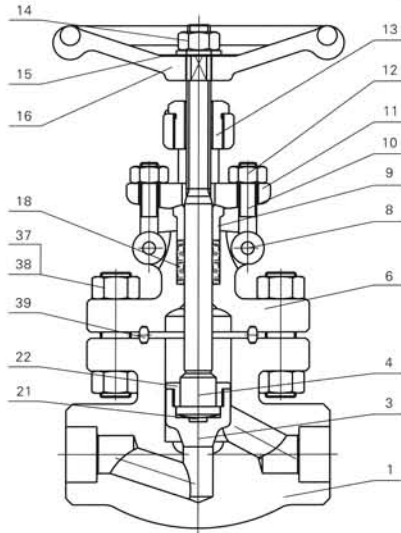


Fumagalli S.p.A

Milano - Roma - Italy

V A L V E S

Female Threaded and
Socket Welded Globe Valves



Application standards

- 1、 Design and manufacture conform to BS5352 MSS SP-118;
- 2、 Connection ends conform to:
 - 1)Socket welded ends conform to ANSI B16.11;JB/T1751
 - 2)Screw ends conform to ANSI B1.20.1;JB/T7306
 - 3)Butt-welded ends conform to ANSI B16.25;JB/T12224
 - 4)Flanged ends conform to ANSI B16.5;JB79
- 3、 Test and inspection conform to: API 598; GB/T13927; JB/T9092
- 4、 Structure features:
 - Bolted bonnet, outside screw and yoke
 - Welded bonnet, outside screw and yoke
- 5、 Materials conform to ANSI/ASTM.
- 6、 Main materials: A105; LF2; F5; F11; F22; 304(L); 316(L); F347; F321; F51; Monel; 20 Alloy.

Carbon steel temperature-pressure rate

CL150-285 P.S.I @ 100° F
 CL300-740 P.S.I @ 100° F
 CL600-1480 P.S.I @ 100° F
 CL800-1975 P.S.I @ 100° F
 CL1500-3705 P.S.I @ 100° F

Main part materials list

NO.	Part name	A105/F6a	A105/F6aHFS	LF2/304	F11/F6aHF	F304(L)/304(L)	F316(L)/316(L)	F51/F51
1	Body	A105	A105+HF	LF2	F11+HF	F304(L)	F316(L)	F51
3	Disc	F6a	F6a	F304	F6aHF	F304(L)	F316(L)	F51
4	Stem	410	410	304	410	304(L)	316(L)	F51
6	Bonnet	A105	A105	LF2	F11	F304(L)	F316(L)	F51
8	Pin	410	410	410	410	304	304	304
9	Gland	410	410	304	410	304	316	F51
10	Gland eyebolt	B7	B7	L7	B16	B8(M)	B8(M)	B8M
11	Gland flange	A105	A105	LF2	F11	F304	F304	F304
12	Hex nut	2H	2H	2H	2H	8(M)	8(M)	8M
13	Stem nut	410	410	410	410	410	410	410
14	Locking nut	35	35	35	35	35	35	35
15	Nameplate	AL	AL	AL	AL	AL	AL	AL
16	Handwheel	A197	A197	A197	A197	A197	A197	A197
18	Packing	Graphite	Graphite	Graphite	Graphite	Graphite	Graphite	Graphite
21	Stem pad	420	420	420	420	316SH	316SH	316SH
22	Disc nut	410	410	410	410	410	410	410
37	Screwed stud	B7	B7	L7	B16	B8(M)	B8(M)	B8(M)
38	Nut	2H	2H	8	8	8(M)	8(M)	8(M)
39	Metal ring	304	304	304	304	304(L)	316(L)	F51

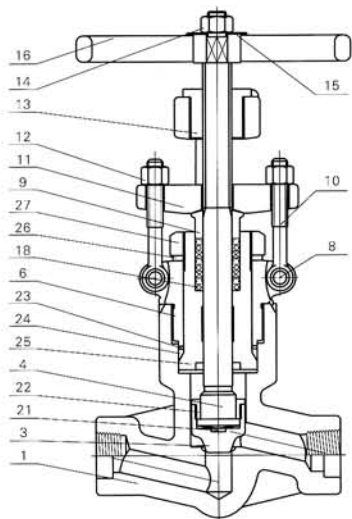


Fumagalli S.p.A

Milano - Roma - Italy

Pressure Sealing
Globe Valves

V A L V E S



Application standards

- 1、 Design and manufacture conform to BS5352 MSS SP-118;
- 2、 Connection ends conform to:
 - 1)Socket welded ends conform to ANSI B16.11;JB/T1751
 - 2)Screw ends conform to ANSI B1.20.1;JB/T7306
 - 3)Butt-welded ends conform to ANSI B16.25;JB/T12224
 - 4)Flanged ends conform to ANSI B16.5;JB79
- 3、 Test and inspection conform to: API 598; GB/T13927; JB/T9092
- 4、 Structure features:
A threaded and pressure seal bonnet; Y type and T type
- 5、 Materials conform to ANSI/ASTM.
- 6、 Main materials:
A105; LF2; F5; F11; F22; 304(L); 316(L); F347; F321; F91; Monel; 20 Alloy.

Carbon steel temperature–pressure rate

CL1500–3705 P.S.I @ 100° F
CL2500–6170 P.S.I @ 100° F

Main part materials list

NO.	Part name	A105/F6a	A105/F6aHFS	LF2/304	F11/F6aHF	F304(L)/304(L)	F316(L)/316(L)	F91/410HF
1	Body	A105	A105+HF	LF2	F11+HF	F304(L)	F316(L)	F91+HF
3	Disc	410	410	304	410	304(L)	316(L)	410+HF
4	Stem	410	410	304	410	304(L)	316(L)	410
6	Bonnet	A105	A105	LF2	F11	F304(L)	F316(L)	F91
8	Pin	410	410	410	410	304	304	410
9	Gland	410	410	304	410	304	316	410
10	Gland eyebolt	B7	B7	L7	B16	B8(M)	B8(M)	B8
11	Gland flange	A105	A105	LF2	F11	F304	F304	F91
12	Hex nut	2H	2H	2H	2H	8(M)	8(M)	8
13	Stem nut	410	410	410	410	410	410	410
14	Locking nut	35	35	35	35	35	35	35
15	Nameplate	AL	AL	AL	AL	AL	AL	AL
16	Handwheel	A197	A197	A197	A197	A197	A197	A197
18	Packing	Graphite	Graphite	Graphite	Graphite	Graphite	Graphite	Graphite
21	Stem pad	420	420	420	420	316SH	316SH	420
22	Disc nut	410	410	410	410	304(L)	316(L)	410
23	Seal ring gasket	420	420	304	304	304(L)	316(L)	316(L)
24	P.S.ring	304	304	304	304	304	316	304
25	P.S.seat	420	420	304	304	304(L)	316(L)	F91
26	Nut pad	410	410	410	410	410	410	410
27	Draw-in stud	Cart steel	Cart steel	Cart steel	Cart steel	Stainless steel	Stainless steel	Cart steel