

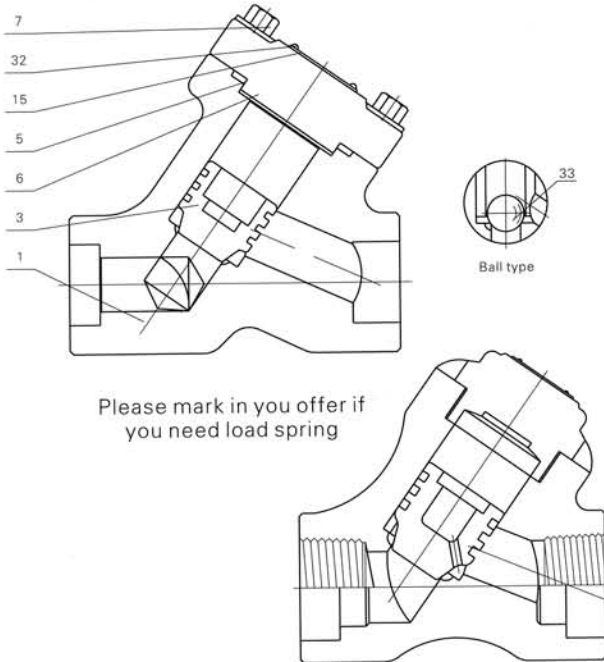


Fumagalli S.p.A

Milano - Roma - Italy

V A L V E S

Y type Check Valves



Application standards

- 1、 Design and manufacture conform to BS5352 MSS SP-118;
- 2、 Connection ends conform to:
 - 1)Socket welded ends conform to ANSI B16.11;JB/T1751
 - 2)Screw ends conform to ANSI B1.20.1;JB/T7306
 - 3)Butt-welded ends conform to ANSI B16.25;JB/T12224
 - 4)Flanged ends conform to ANSI B16.5;JB79
- 3、 Test and inspection conform to: API 598; GB/T13927; JB/T9092
- 4、 Structure features: Bolted bonnet, Welded bonnet
- 5、 Materials conform to ANSI/ASTM.
- 6、 Main materials: A105; LF2; F5; F11; F22; 304(L); 316(L); F347; F321; F51; Monel; 20 Alloy.

Carbon steel temperature-pressure rate

- CL1500-3705 P.S.I @ 100° F
- CL2500-6170 P.S.I @ 100° F
- CL4500-1111P.S.I @ 100° F

Main part materials list

NO.	Part name	A105/F6a	A105/F6aHFS	LF2/304	F11/F6aHF	F304(L)/304(L)	F316(L)/316(L)	F51/F51
1	Body	A105	A105	LF2	F11	F304(L)	F316(L)	F51
3	Disc	410	410HF	304	410HF	304(L)	316(L)	F51
5	Gasket	304+ Flexible graphite	304+ Flexible graphite	304+ Flexible graphite	304+ Flexible graphite	304+ Flexible graphite	316+ Flexible graphite	316+ Flexible graphite
6	Bonnet	A105	A105	LF2	F11	F304(L)	F316(L)	F51
7	Bolt	B7	B7	L7	B16	B8(M)	B8(M)	B8M
15	Nameplate	AL	AL	AL	AL	AL	AL	AL
32	Revit	AL	AL	AL	AL	AL	AL	AL
33	Steel ball	430	430	304	STL	316(L)	316(L)	STL

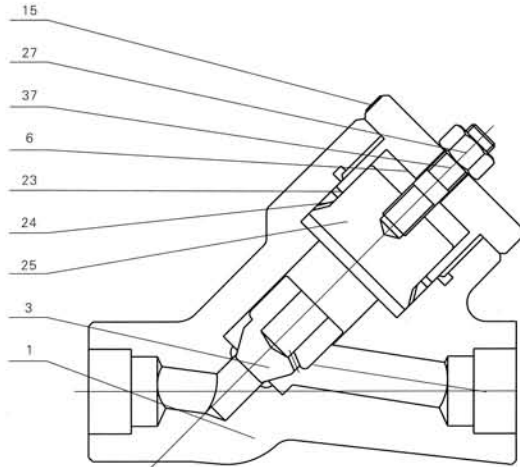


Fumagalli S.p.A

Milano - Roma - Italy

V A L V E S

Y type Pressure
Sealed Check Valves



Application standards

- 1、 Design and manufacture conform to ASME B16.34 MSS SP-118;
- 2、 Connection ends conform to:
 - 1)Socket welded ends conform to ANSI B16.11;JB/T1751
 - 2)Screw ends conform to ANSI B1.20.1;JB/T7306
 - 3)Butt-welded ends conform to ANSI B16.25;JB/T12224
 - 4)Flanged ends conform to ANSI B16.5;JB79
- 3、 Test and inspection conform to: API 598; GB/T13927; JB/T9092
- 4、 Structure features:
A threaded and pressure seal bonnet; Y type and T type.
- 5、 Materials conform to ANSI/ASTM.
- 6、 Main materials:
A105; LF2; F5; F11; F22; 304(L); 316(L); F347; F321; F51; Monel; 20 Alloy.

Carbon steel temperature-pressure rate

CL1500-3705 P.S.I @ 100° F
CL2500-6170 P.S.I @ 100° F
CL4500-1111P.S.I @ 100° F

Main part materials list

NO.	Part name	A105/F6a	A105/F6aHFS	LF2/304	F11/F6aHF	F304(L)/304(L)	F316(L)/316(L)	F51/F51
1	Body	A105	A105+HF	LF2	F11+HF	F304(L)	F316(L)	F51
3	Disc	F6a	F6a	F304	F6aHF	F304(L)	F316(L)	F51
6	Bonnet	A105	A105	LF2	F11	F304(L)	F316(L)	F51
15	Nameplate	AL	AL	AL	AL	AL	AL	AL
23	Seal ring gasket	420	420	304	304	304(L)	316(L)	410
24	P.S.ring	304	304	304	304	316L	316L	316L
25	P.S.seat	F410	F410	F304	F410	F304	F316	F51
27	Lift nut	2H	2H	8	8	8(M)	8(M)	8M
37	Lift stud	B7	B7	L7	B16	B8(M)	B8(M)	B8M