



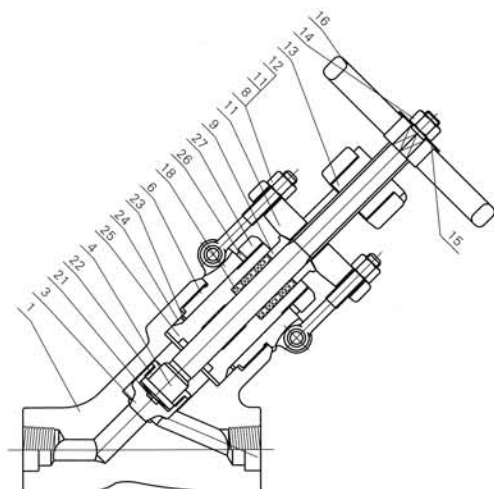


# Fumagalli S.p.A

Milano - Roma - Italy

V A L V E S

Y type Globe Valves



### Application standards

- 1、 Design and manufacture conform to BS5352 MSS SP-118;
- 2、 Connection ends conform to:
  - 1)Socket welded ends conform to ANSI B16.11;JB/T1751
  - 2)Screw ends conform to ANSI B1.20.1;JB/T7306
  - 3)Butt-welded ends conform to ANSI B16.25;JB/T12224
  - 4)Flanged ends conform to ANSI B16.5;JB79
- 3、 Test and inspection conform to:
  - API 598; GB/T13927; JB/T9092
- 4、 Structure features:
  - A threaded and pressure seal bonnet; Y type and T type
- 5、 Materials conform to ANSI/ASTM.
- 6、 Main materials:
  - A105; LF2; F5; F11; F22; 304(L); 316(L); F347; F321; F51; Monel; 20 Alloy; Hastelloy.

### Carbon steel temperature-pressure rate

CL1500-3705 P.S.I @ 100° F

CL2500-6170 P.S.I @ 100° F

### Main part materials list

NO.	Part name	A105/F6a	A105/F6aHFS	LF2/304	F11/F6aHF	F304(L)/304(L)	F316(L)/316(L)	F91/410HF
1	Body	A105	A105+HF	LF2	F11+HF	F304(L)	F316(L)	F91+HF
3	Disc	410	410	304	410	304(L)	316(L)	410+HF
4	Stem	410	410	304	410	304(L)	316(L)	410
6	Bonnet	A105	A105	LF2	F11	F304(L)	F316(L)	F91
8	Pin	410	410	410	410	304	304	410
9	Gland	410	410	304	410	304	316	410
10	Gland eyebolt	B7	B7	L7	B16	B8(M)	B8(M)	B8
11	Gland flange	A105	A105	LF2	F11	F304	F304	F91
12	Hex nut	2H	2H	2H	2H	8(M)	8(M)	8
13	Stem nut	410	410	410	410	410	410	410
14	Locking nut	35	35	35	35	35	35	35
15	Nameplate	AL	AL	AL	AL	AL	AL	AL
16	Handwheel	A197	A197	A197	A197	A197	A197	A197
18	Packing	Graphite	Graphite	Graphite	Graphite	Graphite	Graphite	Graphite
21	Stem pad	420	420	420	420	316SH	316SH	420
22	Disc nut	410	410	410	410	304(L)	316(L)	410
23	Seal ring gasket	420	420	304	304	304(L)	316(L)	316(L)
24	P.S.ring	304	304	304	304	304	316	304
25	P.S.seat	420	420	304	304	304(L)	316(L)	F91
26	Nut pad	410	410	410	410	410	410	410
27	Draw-in stud	Cart steel	Cart steel	Cart steel	Cart steel	Stainless steel	Stainless steel	Cart steel