



# Fumagalli S.p.A

Milano - Roma - Italy

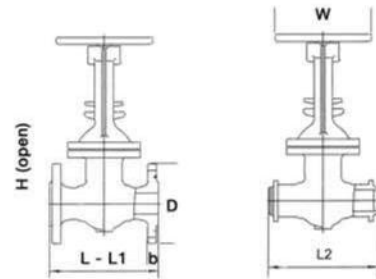
ANSI Gate Valves **Class 1500**

**V A L V E S**



**APPLICABLE STANDARD**

API600, BS1414 , ANSI B16.34, API6D;  
 Face To Face / End To End: ANSI B16.10;  
 End Flanges:  
     2"–16": ANSI B16.5  
 Welding Ends: ANSI B16.25  
 Shell Wall Thickness:  
     2"–16": API600



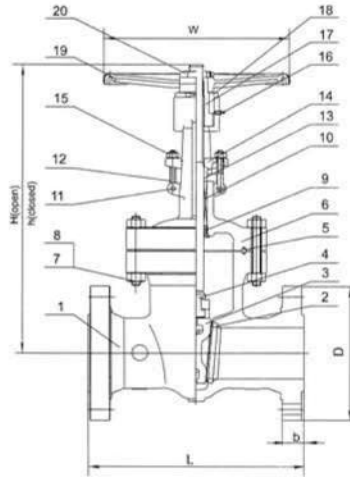
**DIMENSIONS AND WEIGHTS**

\* Gear Operated

NOM SIZE	L/L2		L1		D		b		H Open		W	Wt Kgs
	IN	MM	IN	MM	IN	MM	IN	MM	IN	MM		
2	14.5	368	11.63	371	8.50	215.9	1.50	38.1	22.0	559	250	82
2 1/2	16.5	419	16.63	422	9.63	244.5	1.63	41.3	26.5	673	425	127
3	18.5	470	18.63	473	10.50	266.7	1.87	47.6	28.0	711	400	168
4	21.5	546	21.63	549	12.25	311.1	2.13	54.0	33.0	838	500	277
6	27.8	705	28.00	711	15.50	393.7	3.25	82.5	55.0	1397	600	640
8*	32.8	832	33.13	841	19.00	482.6	3.63	92.1	71.8	1822	GO	1180
10*	39.0	991	39.38	1000	23.00	584.2	4.25	107.9	80.8	2051	GO	1118
12*	44.5	1130	45.13	1146	26.50	673.1	4.87	123.8	84.0	2134	GO	3244
14*	49.5	1257	50.25	1276	29.50	749.3	5.25	133.3	89.3	2267	GO	3693
16*	54.5	1384	55.38	1407	32.50	825.6	5.75	146.0	95.3	2420	GO	4890



**V A L V E S**



**BILL OF MATERIALS & PARTS**

Part No.	Part Name	ASTM Specifications (Specs.- Grades/Types)					
		A216	A352	A217		A351	
		WCB	LCC	WC6	C5	CF8M	
1	Body	A216-WCB	A352-LCC	A217-WC6	A217-C5	A351-CF8M	
2	Seat Ring	A105 ,LF2, 316 OR 304					
	Seat Ring Surface	13CR, HF(STELLITE), 316, 304, Monel					
3	Gate	A216-WCB	A352-LCC	A217-WC6	A217-C5	A351-CF8M	
	Gate Sealing Surface	13CR, HF(STELLITE), 316, 304, Monel					
4	Stem	13CR, 316 OR 304, 17-4PH, Monel					
5	Gasket	Ring Joint-Iron					
6	Bonnet	A216-WCB	A352-LCC	A217-WC6	A217-C5	A351-CF8M	
7	Bonnet Bolt Nut	A194-2H	A194-4	A194-2H	A194-4	A194-8	
8	Bonnet Bolt	A193-B7	A320-L7	A193-B7	A193-B16	A193-B8	
9	Bonnet Bushing	13Cr, 316 OR 304					
10	Gland Packing	Braided Graphite & Die Formed Graphite Ring, PTFE					
11	Eye Bolt Pins	Carbon Steel					316
12	Gland Eye Bolts	A193-B7	A320-L7	A193-B7		A193-B8	
13	Gland	13Cr, 316 OR 304					
14	Gland Flange	A216-WCB	A352-LCC	A217-WC6	A217-C5	A351-CF8M	
15	Eye Bolt Nut	A194-2H	A194-7M	A194-2H		A194-8	
16	Grease Nipple	Carbon Steel					316
17	Yoke Sleeve	ASTM A439 GR D2C					
18	Retaining Nut	Carbon Steel					316
19	Handwheel	Malleable Iron					
20	Handwheel Nut	Carbon Steel					316