



Fumagalli S.p.A

Milano - Roma - Italy

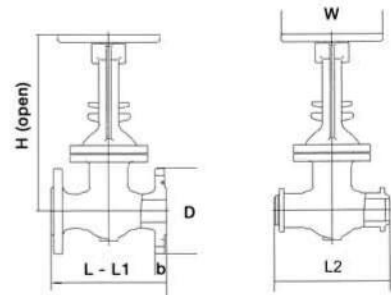
ANSI Gate Valves Class 300

V A L V E S



APPLICABLE STANDARD

API600, BS1414, ANSI B16.34, API6D;
 Face To Face / End To End: ANSI B16.10;
 End Flanges:
 2"–24": ANSI B16.5
 26"–36": MSS-SP44
 API605 on request
 Welding Ends: ANSI B16.25
 Shell Wall Thickness:
 2"–24": API600
 26"–36": Manufacturer's standard



DIMENSIONS AND WEIGHTS

* Gear Operated

NOM SIZE	L/L2		L1		D		b		H		W	Wt
	RF/BW		RTJ						Open			
	IN	MM	IN	MM	IN	MM	IN	MM	IN	MM		
2	8.50	216	9.12	232	6.50	165.1	0.87	22.2	16.70	424	200	24
2½	9.50	241	10.12	257	7.50	190.5	1.00	25.4	18.10	460	200	44
3	11.13	283	11.8	298	8.25	209.5	1.13	28.6	21.00	535	250	52
4	12.00	305	12.6	321	10.0	254.0	1.25	31.7	24.20	615	250	76
5	15.0	381	15.6	397	33.8	279.4	1.37	34.9	26.10	662	350	94
6	15.86	403	16.5	419	12.5	317.5	1.44	36.5	31.30	795	350	146
8	16.50	419	17.1	435	15.0	381.0	1.63	41.3	39.90	1012	400	218
10	18.00	457	18.6	473	17.5	444.5	1.87	47.6	48.50	1231	450	352
12	19.75	502	20.4	518	20.5	520.7	2.00	50.8	57.00	1450	500	472
14	30.00	762	30.6	778	23.0	584.2	2.13	54.0	64.80	1645	600	694
16	33.00	838	33.6	854	25.5	647.7	2.25	57.1	72.50	1841	600	1080
18	36.00	914	36.6	930	28.0	711.2	2.37	60.3	76.50	1943	680	1235
20	39.00	991	39.8	1010	30.5	774.7	2.50	63.5	84.80	2154	965	1655
24	45.00	1143	45.9	1165	36.0	914.4	2.75	69.8	100.5	2553	915	2320
26*	49.00	1244	49.8	1266	38.2	970.2	3.12	79.2	108.3	2750	GO	3100
28*	53.00	1346	53.9	1368	40.7	1035.1	3.38	86.0	122.05	3100	GO	3893
30*	55.00	1397	56.0	1422	43.0	1092.2	3.62	92.0	130.71	3320	GO	4930
32*	60.00	1524	61.9	1546	45.2	1148.1	3.88	98.6	140.20	3560	GO	5230
36*	68.00	1727	69.0	1752	50.0	1270.0	4.12	105	153.94	3910	GO	6885

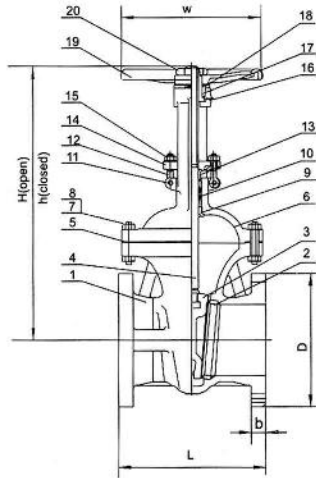


Fumagalli S.p.A

Milano - Roma - Italy

ANSI Gate Valves **Class 300**

V A L V E S



BILL OF MATERIALS & PARTS

Part No.	Part Name	ASTM Specifications (Specs.-Grades/Types)				
		A216	A352	A217		A351
		WCB	LCC	WC6	C5	CF8M
1	Body	A216-WCB	A352-LCC	A217-WC6	A217-C5	A351-CF8M
2	Seat Ring	A105 ,LF2, 316 OR 304				
	Seat Ring Surface	13CR, HF(STELLITE), 316, 304, Monel				
3	Gate	A216-WCB	A352-LCC	A217-WC6	A217-C5	A351-CF8M
	Gate Sealing Surface	13CR, HF(STELLITE), 316, 304, Monel				
4	Stem	13CR, 316 OR 304, 17-4PH, Monel				
5	Gasket	Soft Iron, Spiral Wound				
6	Bonnet	A216-WCB	A352-LCC	A217-WC6	A217-C5	A351-CF8M
7	Bonnet Bolt Nut	A194-2H	A194-4	A194-2H	A194-4	A194-8
8	Bonnet Bolt	A193-B7	A320-L7	A193-B7	A193-B16	A193-B8
9	Bonnet Bushing	13Cr, 316 OR 304				
10	Gland Packing	Braided Graphite & Die Formed Graphite Ring, PTFE				
11	Eye Bolt Pins	Carbon Steel				316
12	Gland Eye Bolts	A193-B7	A320-L7	A193-B7		A193-B8
13	Gland	13Cr, 316 OR 304				
14	Gland Flange	A216-WCB	A352-LCC	A217-WC6	A217-C5	A351-CF8M
15	Eye Bolt Nut	A194-2H	A194-7M	A194-2H		A194-8
16	Grease Nipple	Carbon Steel				316
17	Yoke Sleeve	ASTM A439 GR D2C				
18	Retaining Nut	Carbon Steel				316
19	Handwheel	Malleable Iron				
20	Handwheel Nut	Carbon Steel				316