



Fumagalli S.p.A

Milano - Roma - Italy

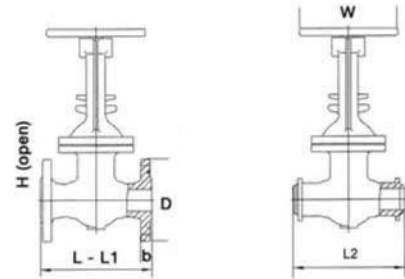
V A L V E S

ANSI Gate Valves **Class 900**



APPLICABLE STANDARD

API600, BS1414 , ANSI B16.34, API6D;
 Face To Face / End To End: ANSI B16.10;
 End Flanges:
 2"–24": ANSI B16.5
 Welding Ends: ANSI B16.25
 Shell Wall Thickness:
 2"–24": API600



DIMENSIONS AND WEIGHTS

* Gear Operated

NOM SIZE	L/L2		L1		D		b		H Open		W MM	Wt Kgs
	IN	MM	IN	MM	IN	MM	IN	MM	IN	MM		
2	14.5	368	14.63	371	8.50	215.9	1.50	38.1	14.50	620	300	95
2½	16.5	419	16.63	422	9.63	244.5	1.63	41.3	27.80	705	350	108
3	15.0	381	15.13	384	9.50	241.3	1.50	38.1	27.40	695	350	125
4	18.0	457	18.13	460	11.50	292.1	1.75	44.4	32.50	825	400	192
6	24.0	610	24.13	613	15.00	381.0	2.19	55.6	42.00	1065	500	378
8	29.0	737	29.13	740	18.50	469.9	2.50	63.5	52.00	1320	600	635
10	33.0	838	33.13	841	21.50	546.1	2.75	69.8	60.60	1540	750	900
12	38.0	965	38.13	968	24.00	609.6	3.12	79.4	72.50	1840	850	1550
14"	40.5	1029	40.88	1038	25.25	641.2	3.38	85.7	79.70	2025	GO	2170
16"	44.5	1130	44.88	1140	27.75	704.8	3.50	88.9	85.40	2170	GO	3070
18"	48.0	1219	48.50	1232	31.00	787.4	4.00	101.6	87.87	2232	GO	3930
20"	52.0	1320	52.52	1334	33.75	857.2	4.25	107.9	95.87	2435	GO	5120
24"	61.0	1549	61.54	1563	41.00	1041.4	5.50	140.0	112.80	2865	GO	7800

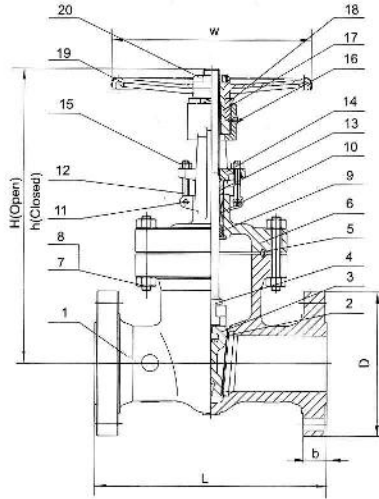


Fumagalli S.p.A

Milano - Roma - Italy

ANSI Gate Valves Class 900

V A L V E S



BILL OF MATERIALS & PARTS

Part No.	Part Name	ASTM Specifications (Specs.- Grades/Types)				
		A216	A352	A217		A351
		WCB	LCC	WC6	C5	CF8M
1	Body	A216-WCB	A352-LCC	A217-WC6	A217-C5	A351-CF8M
2	Seat Ring	A105 ,LF2, 316 OR 304				
	Seat Ring Surface	13CR, HF(STELLITE), 316, 304, Monel				
3	Gate	A216-WCB	A352-LCC	A217-WC6	A217-C5	A351-CF8M
	Gate Sealing Surface	13CR, HF(STELLITE), 316, 304, Monel				
4	Stem	13CR, 316 OR 304, 17-4PH, Monel				
5	Gasket	Ring Joint-Iron				
6	Bonnet	A216-WCB	A352-LCC	A217-WC6	A217-C5	A351-CF8M
7	Bonnet Bolt Nut	A194-2H	A194-4	A194-2H	A194-4	A194-8
8	Bonnet Bolt	A193-B7	A320-L7	A193-B7	A193-B16	A193-B8
9	Bonnet Bushing	13Cr, 316 OR 304				
10	Gland Packing	Braided Graphite & Die Formed Graphite Ring, PTFE				
11	Eye Bolt Pins	Carbon Steel				316
12	Gland Eye Bolts	A193-B7	A320-L7	A193-B7		A193-B8
13	Gland	13Cr, 316 OR 304				
14	Gland Flange	A216-WCB	A352-LCC	A217-WC6	A217-C5	A351-CF8M
15	Eye Bolt Nut	A194-2H	A194-7M	A194-2H		A194-8
16	Grease Nipple	Carbon Steel				316
17	Yoke Sleeve	ASTM A439 GR D2C				
18	Retaining Nut	Carbon Steel				316
19	Handwheel	Malleable Iron				
20	Handwheel Nut	Carbon Steel				316